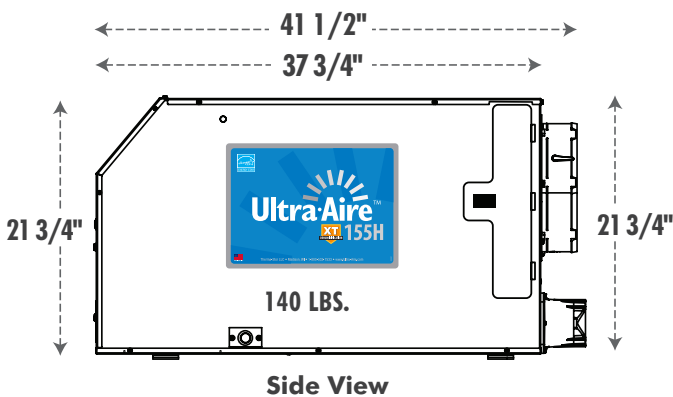
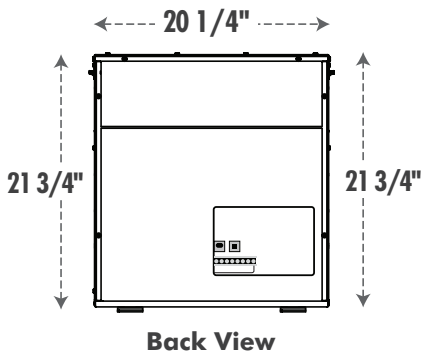
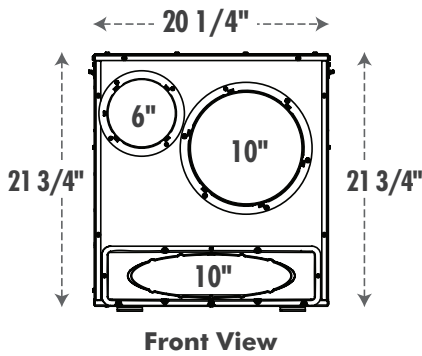


# Technical Specs

# ULTRA-AIRE™ XT155H

## Features

- Patented XT Technology
- Energy Star® Rated
- Superior MERV-13 Filtration
- Dedicated Outdoor Air Ventilation
- Unmatched 6 Year Warranty



### Part Number

4031070

### Capacity

#### Water Removal

155 Pints/Day @ 80°F/60%RH

#### Efficiency

7.3 Pints/kWh @ 80°F/60%RH

### Performance

#### Blower

391 CFM @ 0.0" WG  
363 CFM @ 0.2" WG  
337 CFM @ 0.4" WG

#### Energy Factor

3.4 L/kWh

#### Sized For

Up to 3,500 Square Feet

#### Operating Range

49°F - 95°F Inlet Air Temperature  
34°F - 135°F Outside Cabinet

### Electrical

#### Power

920 Watts @ 80°F/60%RH

#### Supply Voltage

115 VAC - 1 Phase - 60 Hz.

#### Current Draw

8.0 Amps

#### Power Cord

9 Foot - 115 VAC - Ground

#### Circuit Requirement

15 Amp Dedicated

### Functionality

#### Duct Connections

6" Round OA Inlet - 10" Round Inlet -  
10" Oval Outlet

#### Drain Connection

3/4" Threaded Female NPT

#### Transformer Protection

Push button reset located near the  
power cord

#### Control

Use of the DEH 3000/R digital control  
for outdoor air ventilation and  
humidity control in the living space  
or similar option

#### Refrigerant

R410A - 1 Lb., 13 Oz.

#### Shipping Dimensions

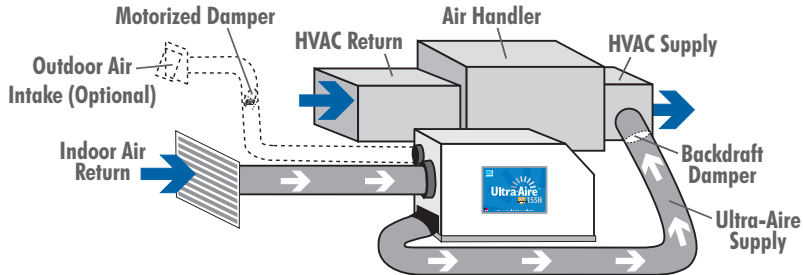
25"W x 28"H x 42"D - 162 Lbs.

## Recommended Installations

### Dedicated Return to HVAC Supply

Create a separate return for the Ultra-Aire XT155H in a central area of the building.

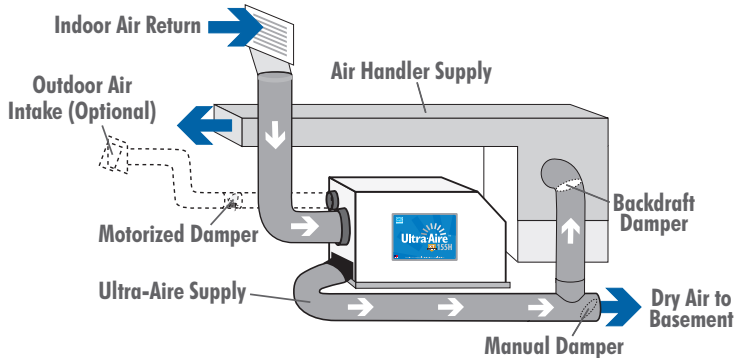
Duct the supply of the Ultra-Aire XT155H to the air supply of the HVAC system with a backdraft damper.



### Basement / Crawl Space - Dedicated Return to HVAC Supply

Duct the supply of the Ultra-Aire XT155H to a 10" x 10" x 10" tee damper that is 20 percent open to the basement.

Duct the other side of the tee to the air supply of the existing HVAC system with a backdraft damper.



## Accessories

DEH 3000 Control	4028539
DEH 3000R Control	4028407
Ultra-Aire Sentry	4037220
MERV-13 Filter (16" x 20" x 2")	4039391
MERV-13 Filter 4-Pack	4037733
MERV-13 Filter 12-Pack	4037734
Pump Kit	4022220
Hang Kit	4036685
6" Motorized Damper	4023672
6" Flex Duct 25'	4026859
6" Flex Insulated Duct 25'	4020128
6" Inlet Hood	4020656
10" Gravity Damper	4024375
10" Flex Duct 25'	4026969
10" Flex Insulated Duct 25'	4022126
10" Oval to Round Adapter	4028399

### Ultra-Aire™ Whole House Ventilating Dehumidifiers

are specifically designed for professional HVAC installation and deliver the ultimate in indoor air quality and comfort.



## Alternative Installation

### HVAC Return to HVAC Supply

Check Damper should be in place between the Return and Supply connections of the dehumidifier.

If Check Damper is not in place, the HVAC fan must turn on when the dehumidifier is in operation.

